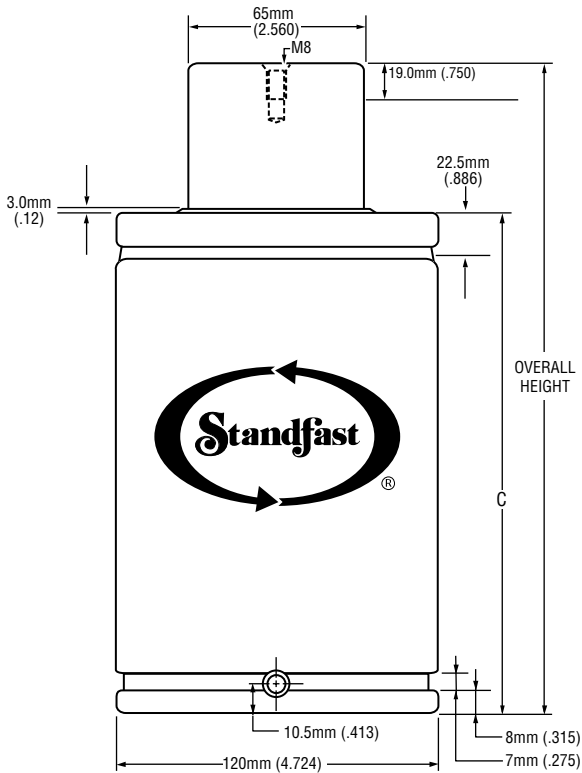




CH5000 DROP-IN STYLE
Specify "STD" when ordering



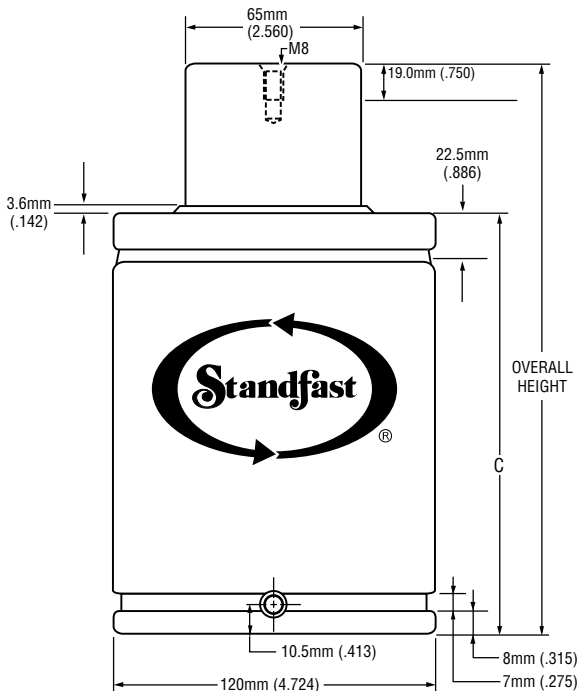
CH5000 & CS5000 SERIES

CH5000 STROKE CHART

STROKE LENGTH		MAX.ALLOW. STROKE		C		OVER ALL LENGTH		WEIGHT
MM	INCHES	MM	INCHES	MM +/- .5	INS +/- .02	MM +/- .5	INS +/- .02	IN LBS.
12.5	0.492	9.5	0.374	150.5	5.923	165.0	6.496	26.58
25.0	0.984	22.0	0.866	163.0	6.415	190.0	7.480	28.00
37.5	1.476	34.5	1.358	175.5	6.907	215.0	8.465	29.42
50.0	1.969	47.0	1.850	188.0	7.399	240.0	9.449	30.84
62.5	2.461	59.5	2.343	200.5	7.891	265.0	10.433	32.25
75.0	2.953	72.0	2.835	213.0	8.383	290.0	11.417	33.67
87.5	3.445	84.5	3.327	225.5	8.875	315.0	12.402	35.09
100.0	3.937	97.0	3.819	238.0	9.368	340.0	13.386	36.51
112.5	4.429	109.5	4.311	250.5	9.860	365.0	14.370	37.92
125.0	4.921	122.0	4.803	263.0	10.352	390.0	15.354	39.34
137.5	5.413	134.5	5.295	275.5	10.844	415.0	16.339	40.76
150.0	5.906	147.0	5.787	288.0	11.336	440.0	17.323	42.18
160.0	6.299	157.0	6.181	298.0	11.732	460.0	18.110	43.25
162.5	6.398	159.5	6.280	300.5	11.828	465.0	18.307	43.60
175.0	6.890	173.0	6.811	313.0	12.320	490.0	19.291	45.01
187.5	7.382	184.5	7.264	325.5	12.812	515.0	20.276	46.43
200.0	7.874	197.0	7.756	338.0	13.305	540.0	21.260	47.85

Recommended Tolerance on Machined Pocket in the die is 122.0/124.0 (4.803"/4.881") for maximum CH5000 & CS5000 performance.

CS5000 DROP-IN STYLE
Specify "STD" when ordering



CS5000 STROKE CHART

STROKE LENGTH		MAX.ALLOW. STROKE		C		OVER ALL LENGTH		WEIGHT
MM	INCHES	MM	INCHES	MM +/- .5	INS +/- .02	MM +/- .5	INS +/- .02	IN LBS.
12.5	0.492	9.5	0.374	113.0	4.447	127.0	5.000	19.72
25.0	0.984	22.0	0.866	125.5	4.939	152.0	5.984	21.13
37.5	1.476	34.5	1.358	138.0	5.431	177.0	6.969	22.55
50.0	1.969	47.0	1.850	150.5	5.923	202.0	7.953	23.97
62.5	2.461	59.5	2.343	163.0	6.415	227.0	8.937	25.39
75.0	2.953	72.0	2.835	175.5	6.907	252.0	9.921	26.81
87.5	3.445	84.5	3.327	188.0	7.106	262.0	10.315	27.5
100.0	3.937	97.0	3.819	200.5	7.399	277.0	10.906	28.22
112.5	4.429	109.5	4.311	213.0	7.891	302.0	11.890	29.64
125.0	4.921	122.0	4.803	225.5	8.383	327.0	12.874	31.06
137.5	5.413	134.5	5.295	238.0	8.875	352.0	13.858	32.48
150.0	5.906	147.0	5.787	250.5	9.368	377.0	14.843	33.89
162.5	6.398	159.5	6.280	263.0	9.860	402.0	15.827	35.31
175.0	6.890	173.0	6.811	275.5	10.352	427.0	16.811	36.73
187.5	7.382	184.5	7.264	288.0	10.844	452.0	17.795	38.15
200.0	7.874	197.0	7.756	300.5	11.336	477.0	18.780	39.57
212.5	8.366	209.5	8.248	313.0	11.828	502.0	19.764	40.98
225.0	8.858	222.0	8.740	325.5	12.320	527.0	20.748	42.5
237.5	9.350	234.5	9.232	338.0	12.812	552.0	21.732	43.8
					13.308	577.0	22.717	45.2

SELF-CONTAINED ORDERING CODE: CH or CS5000 x STROKE LENGTH — MOUNT STYLE — CHARGE PRESSURE
HOSED SYSTEM ORDERING CODE: CHP or CSP5000 x STROKE LENGTH — MOUNT STYLE — UNCHARGED

Note: English dimensions in black / Metric dimensions in blue

CH5000 & CS5000 SERIES

CH5000 & CS5000 FORCE CHART based on 2,000 psi

Initial contact pressure for the CH5000 & CS5000 is 10,278 lbs.

STROKE		TRAVEL																					
MM	INCHES	12.5	25.0	37.5	50.0	62.5	75.0	80.0	87.5	100.0	112.5	125.0	137.5	150.0	160.0	162.5	175.0	187.5	200.0	212.5	225.0	237.5	
12.5	0.49	14009																					
25.0	0.98	12284	15258																				
37.5	1.48	11650	13441	15884																			
50.0	1.97	11321	12596	14195	16260																		
62.5	2.46	11119	12107	13289	14725	16510																	
75.0	2.95	10983	11789	12723	13818	15118	16689																
80.0	3.15	10940	11691	12552	13551	14721	16114	16748															
87.5	3.45	10885	11565	12336	13218	14235	15421	15953	16824														
100.0	3.94	10811	11399	12055	12792	13624	14572	14990	15662	16928													
112.5	4.43	10753	11271	11842	12474	13177	13964	14306	14851	15858	17012												
125.0	4.92	10706	11169	11674	12227	12835	13506	13795	14252	15085	16021	17081											
137.5	5.41	10668	11087	11539	12030	12565	13150	13400	13792	14500	15284	16158	17138										
150.0	5.91	10636	11018	11428	11870	12347	12865	13084	13427	14042	14715	15455	16275	17186									
160.0	6.30	10614	10971	11352	11761	12201	12674	12874	13186	13741	14345	15004	15727	16522	17219								
162.5	6.40	10609	10960	11335	11736	12167	12631	12826	13131	13673	14262	14903	15605	16376	17050	17227							
175.0	6.89	10586	10910	11256	11623	12016	12436	12612	12886	13371	13893	14457	15070	15736	16313	16464	17263						
187.5	7.38	10566	10868	11187	11527	11887	12271	12431	12680	13117	13586	14090	14632	15218	15721	15852	16542	17295					
200.0	7.87	10548	10830	11128	11443	11776	12129	12276	12504	12903	13328	13782	14268	14789	15235	15351	15956	16611	17322				
212.5	8.37	10532	10797	11076	11370	11679	12006	12142	12352	12718	13107	13520	13960	14429	14828	14932	15470	16049	16673	17347			
225.0	8.86	10518	10768	11030	11305	11594	11899	12025	12219	12558	12916	13294	13696	14123	14484	14577	15061	15578	16133	16728	17369		
237.5	9.36	10506	10742	10989	11248	11519	11804	11922	12103	12417	12749	13098	13467	13858	14187	14272	14712	15179	15677	16209	16778	17389	

Formula to calculate charge pressure for lower initial contact pressure is: FORCE REQUIRED x .195 (ex. 8500 x .195 = 1658 psi charge in cylinder).

PLEASE NOTE: A max. charge pressure of 2175 PSI/150 Bar is available upon request. Initial contact force at 2175 PSI/150 Bar will be 11,187 lbs (4976 daN).

Our CH5000 meets ISO standards for both the cylinder and all related mount styles.

Our CH5000 is available with either a 7/16-20 port or a G-1/8 port per ISO standards. A 7/16-20 port will be provided unless the G-1/8 port is specified by our customer at time of order entry.

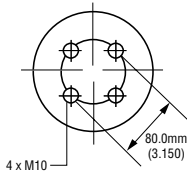
To adjust pressure on the CH/CS5000 with a 7/16-20 port, please use a 7/16-20 Charging Adapter and a 7/16-20 Discharge Tool.

To adjust pressure on the CH5000 with a G-1/8 port, please use a G-1/8 Charging Adapter and a G-1/8 Discharge Tool.

We recommend that all cylinders be backed-up during operation.

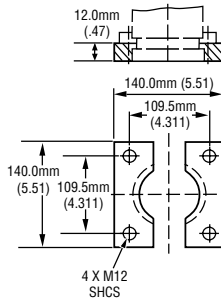
TAPPED BASE MOUNT STYLES

To order: Specify "MTB2"



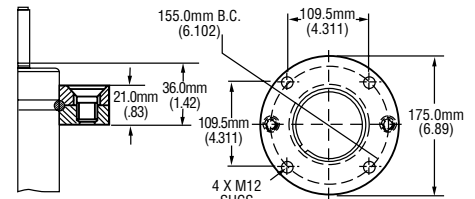
S16

To order: Specify "S16"



S22

To order: Specify "S22"

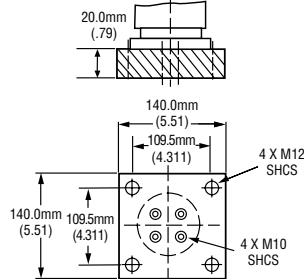


To order: Specify "TB" for English or "MTB" for Metric



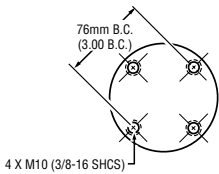
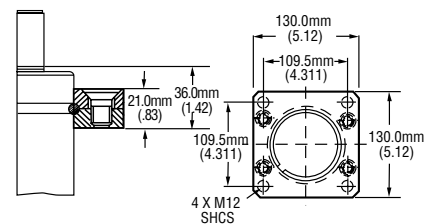
S33

To order: Specify "S33"



S78

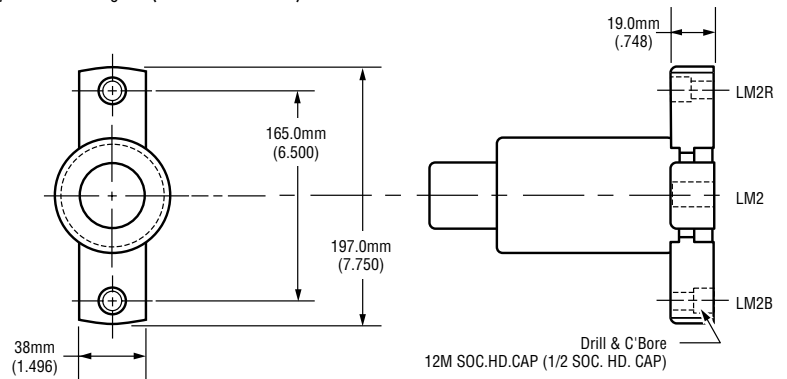
To order: Specify "S78"



CH5000 & CS5000 MOUNT STYLES

CH5000 & CS5000 2 LUG MOUNT STYLE

Specify "LM2" for English ("MLM2" for Metric)

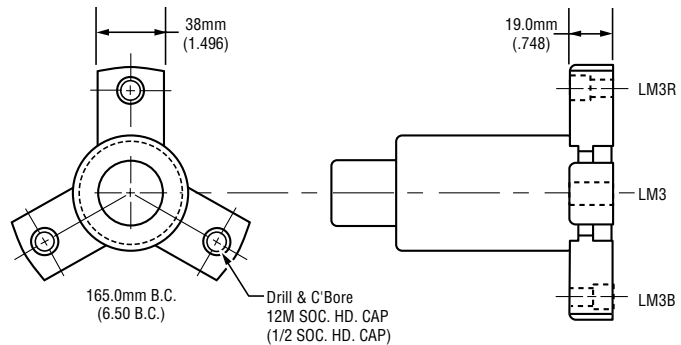


Our lug mounts have been designed to allow our customers greater versatility and convenience. Our tongue and groove mounting system eliminates the need for welding. This allows lugs to be purchased when the order is placed, or at any time thereafter as changes occur in mounting requirements.

H-2

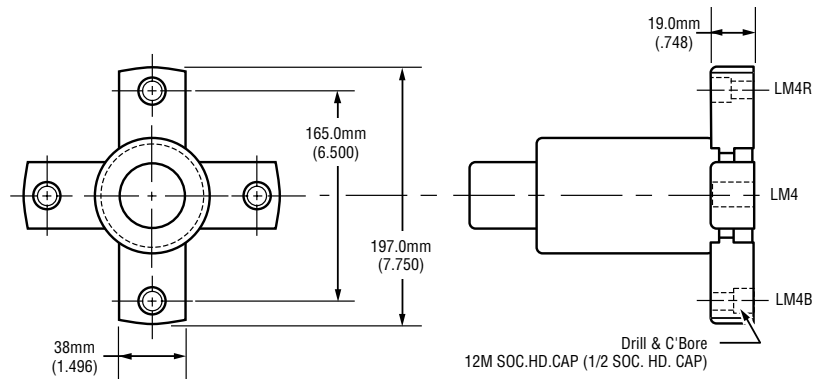
CH5000 & CS5000 3 LUG MOUNT STYLE

Specify "LM3" for English ("MLM3" for Metric)



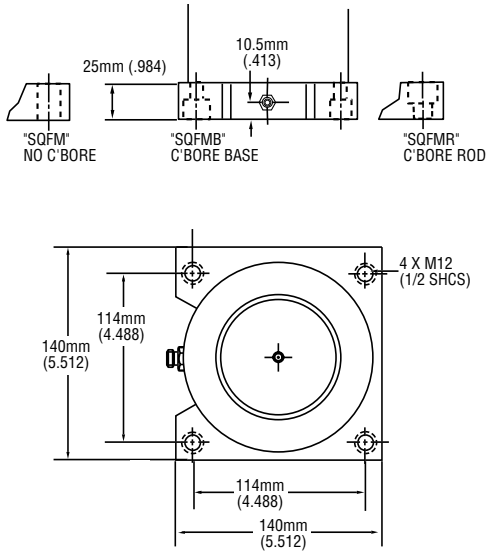
CH5000 & CS5000 4 LUG MOUNT STYLE

Specify "LM4" for English ("MLM4" for Metric)

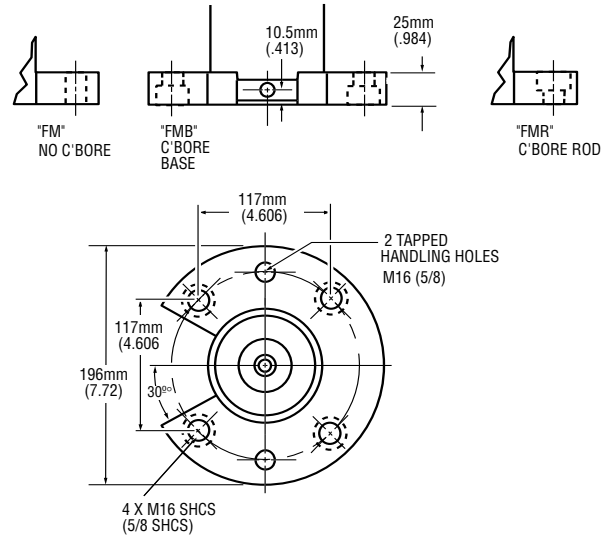


CH5000 & CS5000 MOUNT STYLES

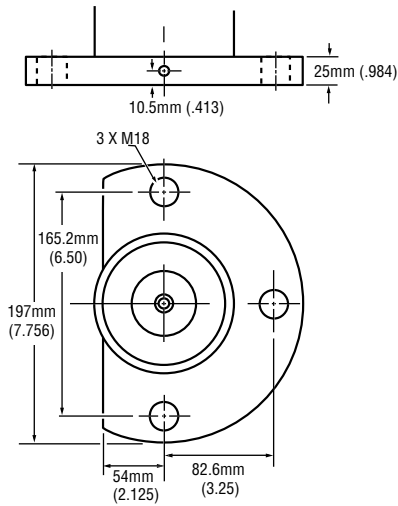
"SQFM" STYLE WELDED SQUARE FLANGE



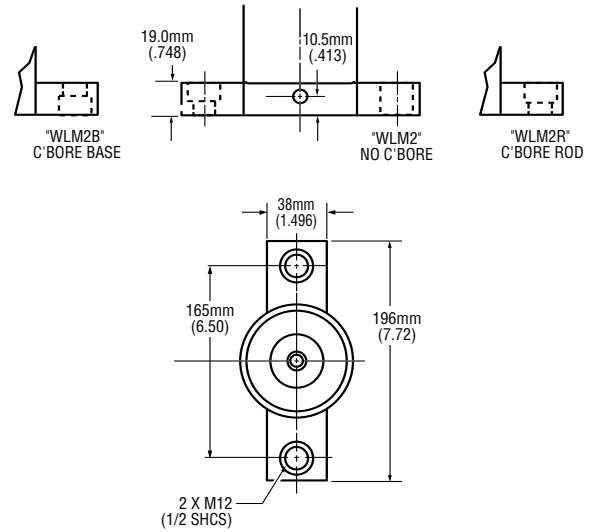
"FM" STYLE WELDED FLANGE MOUNT



"CFM" STYLE WELDED FLANGE

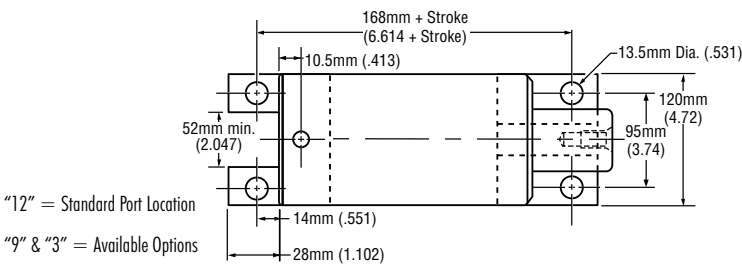


"WLM2" STYLE WELDED 2 LUG



H-3

CH5000 "SMF" WELDED SIDE MOUNT



"12" = Standard Port Location
"9" & "3" = Available Options
(As viewed from rod end.)

Please consult factory for special
mount requirements

FOR CS5000 "SMF" WELDED SIDE MOUNT

Please contact Standfast Industries for dimensional information.

