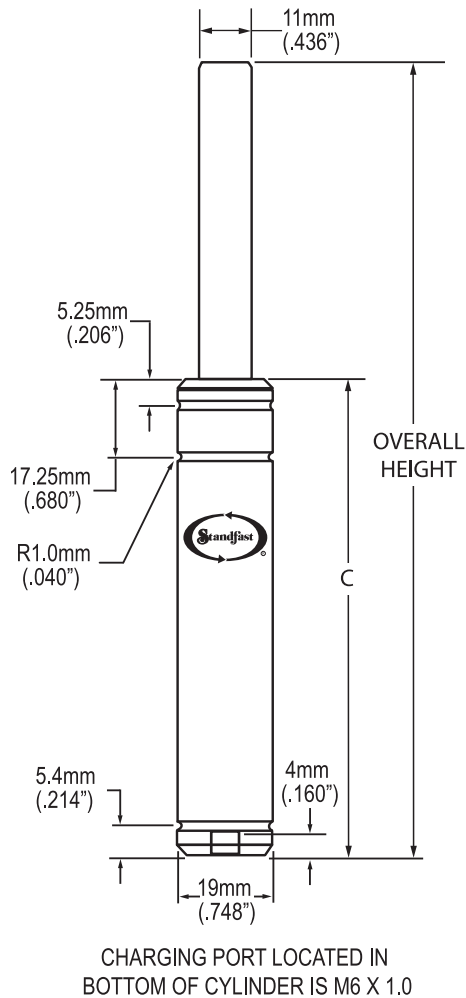


HP170 SERIES

HP170 STANDARD MOUNT



Our HP170 offers our customers several advantages. Most notably the HP170 offers the same 19.0mm (.748") body diameter as our CH119 with twice the initial contact force. Our HP170 also provides unprecedented rod support, especially for stroke lengths over 75mm. All of our superior design features allow for extended service life in high pressure applications.

HP170 cylinders are NOT REPAIRABLE.

HP170 cylinders may NOT BE HOSED INTO A SYSTEM.

To adjust pressure on the HP170 cylinders, please use a CAM6 Charging adapter and a DTCH125 Discharge Tool.

We recommend that all cylinders be backed-up during operation.

HP170 STROKE CHART

STROKE LENGTH		MAX.ALLOW. STROKE		C		OVERALL LENGTH		WEIGHT
MM	INCHES	MM	INCHES	MM +/- .5	INS +/- .02	MM +/- .5	INS +/- .02	LBS.
7.0	0.276	5.5	0.216	37.0	1.457	44.0	1.732	0.12
10.0	0.394	8.5	0.334	40.0	1.575	50.0	1.968	0.13
12.7	0.500	11.2	0.440	42.7	1.681	55.4	2.181	0.14
15.0	0.591	13.0	0.511	45.0	1.772	60.0	2.362	0.15
19.0	0.748	17.0	0.669	49.0	1.929	68.0	2.677	0.16
25.0	0.984	23.0	0.905	55.0	2.165	80.0	3.150	0.18
38.0	1.496	36.0	1.417	68.0	2.677	106.0	4.173	0.21
50.0	1.969	48.0	1.889	80.0	3.150	130.0	5.118	0.25
63.0	2.500	61.5	2.421	93.0	3.661	156.0	6.142	0.29
75.0	2.953	73.0	2.874	110.0	4.331	185.0	7.284	0.33
80.0	3.150	78.0	3.070	115.0	4.528	195.0	7.677	0.34
100.0	3.937	98.0	3.858	135.0	5.315	235.0	9.252	0.40
125.0	4.921	123.5	4.842	160.0	6.299	285.0	11.221	0.48

Recommended tolerance on machined pocket in the die is 20.0/21.0mm (0.787"/0.827") for maximum HP170 performance.

HP170 FORCE CHART based on 2600 PSI
Initial contact pressure for the HP170 is 388 lbs.

STROKE		TRAVEL												
	MM	7.0	10.0	12.7	15.0	19.0	25.0	38.0	50.0	63.0	75.0	80.0	100.0	125.0
MM	INCHES	0.276	0.394	0.500	0.591	0.748	0.984	1.496	1.969	2.500	2.953	3.150	3.937	4.921
7.0	0.276	549												
10.0	0.392	499	569											
12.7	0.500	475	525	580										
15.0	0.591	461	502	545	588									
19.0	0.748	446	476	507	536	597								
25.0	0.984	432	453	475	495	534	606							
38.0	1.496	417	430	443	455	477	514	617						
50.0	1.969	410	420	429	438	453	478	544	623					
63.0	2.500	405	413	420	427	438	457	504	556	627				
75.0	2.953	403	409	415	420	430	445	482	521	572	629			
80.0	3.150	402	408	413	418	427	441	475	511	556	606	630		
100.0	3.937	399	404	408	412	419	430	455	481	513	546	561	632	
125.0	4.921	397	401	404	407	412	421	440	459	483	506	516	563	634

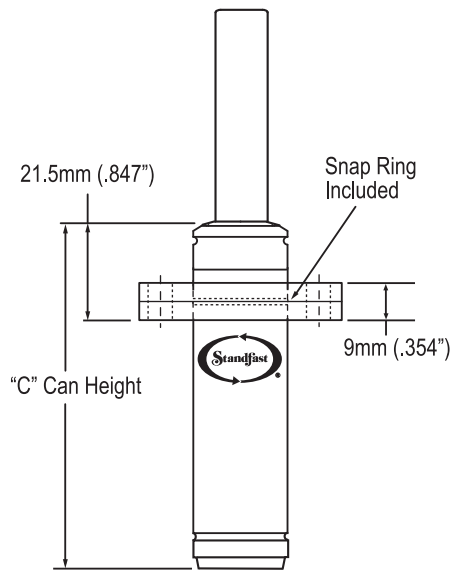
Formula to calculate charge pressure for ANY contact pressure is: FORCE REQUIRED x 6.698 = PSI

Note: English dimensions in black / Metric dimensions in blue

HP170 SERIES

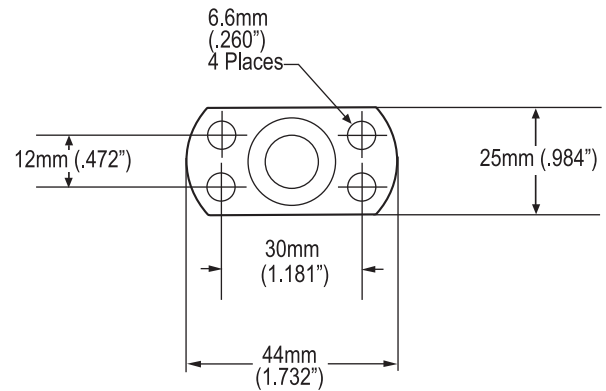
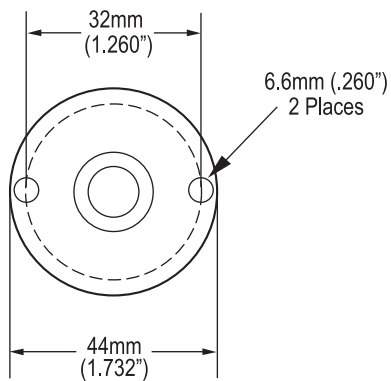
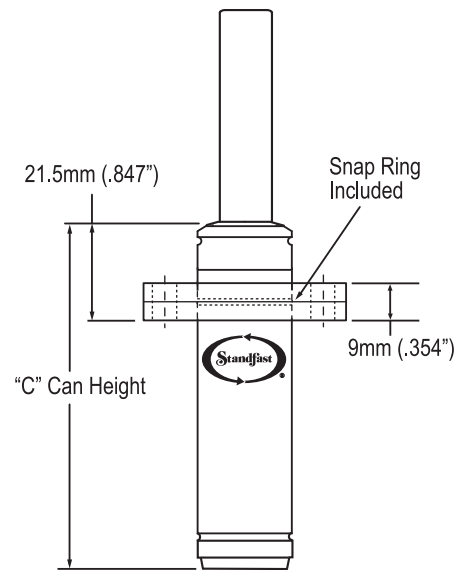
HP170 TOP ROUND FLANGE

To order: specify "HP170TR"



HP170 TOP SQUARED OFF FLANGE

To order: specify "HP170TSO"



NOTE: TO PREVENT POTENTIAL NITROGEN CYLINDER DAMAGE FROM UNCONTROLLED ACCELERATION, WE RECOMMEND PRE-LOADING THE CYLINDERS.