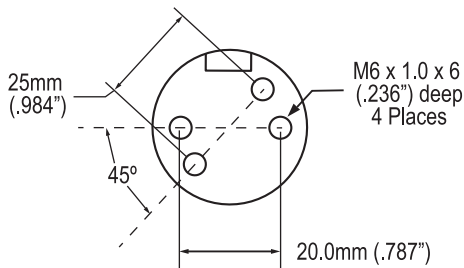
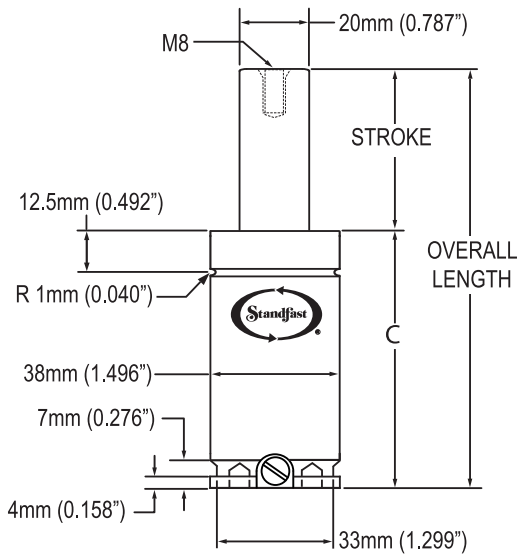


# HP500 SERIES

## HP500 TAPPED BASE STYLE

Specify "TB" when ordering



Our HP500 offers greater force in a smaller envelope than previous 38mm (1.476") cylinders yet still contains the steel rod bearing support that is available in all of our cylinders.

Our HP500 can be used in hoses applications using our Mirco-Line hose and fittings only.

To adjust pressure on HP500 cylinders, please use a CAM6 Charging Adapter and a DTM6 Discharge Tool.

We recommend that all cylinders be backed-up during operation.

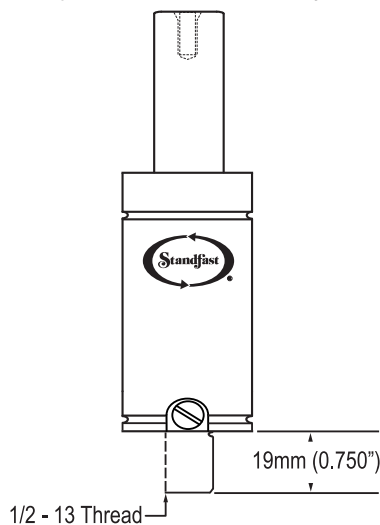
## HP500 STROKE CHART

STROKE LENGTH		MAX.ALLOW. STROKE		C		OVERALL LENGTH		WEIGHT
MM	INCHES	MM	INS.	MM +/- .5	INS +/- .02	MM +/- .5	INS +/- .02	LBS.
10.0	0.394	8.5	0.334	40.0	1.575	50.0	1.968	0.25
13.0	0.492	11.0	0.432	42.5	1.673	55.0	2.165	0.28
15.0	0.591	13.5	0.531	45.0	1.772	60.0	2.362	0.31
19.0	0.748	17.5	0.688	49.0	1.929	68.0	2.677	0.36
25.0	0.984	23.5	0.924	55.0	2.165	80.0	3.150	0.43
32.0	1.260	30.5	1.200	62.0	2.441	94.0	3.701	0.51
38.0	1.476	36.0	1.416	67.5	2.657	105.0	4.134	0.58
50.0	1.969	48.5	1.909	80.0	3.150	130.0	5.118	0.73
63.0	2.461	61.0	2.401	92.5	3.642	155.0	6.102	0.88
75.0	2.953	73.5	2.893	105.0	4.134	180.0	7.087	0.93
80.0	3.150	78.5	3.090	110.0	4.331	190.0	7.480	0.99
100.0	3.937	98.5	3.877	130.0	5.118	230.0	9.055	1.23
125.0	4.921	123.5	4.861	155.0	6.102	280.0	11.024	1.38

Recommended Tolerance on the Machined Pocket in the die is 40.0/42.0mm (1.575"/1.653") for maximum HP500 performance.

## HP500 STUD MOUNT STYLE

Specify "STUD" when ordering



ORDERING CODE: HP500 X STROKE LENGTH - MOUNT STYLE - CHARGE PRESSURE

NOTE: TO PREVENT POTENTIAL NITROGEN CYLINDER DAMAGE FROM UNCONTROLLED ACCELERATION, WE RECOMMEND PRE-LOADING THE CYLINDERS.

Note: English dimensions in black / Metric dimensions in blue

# HP500 SERIES MOUNT STYLES

## HP500 FORCE CHART based on 2,175 PSI

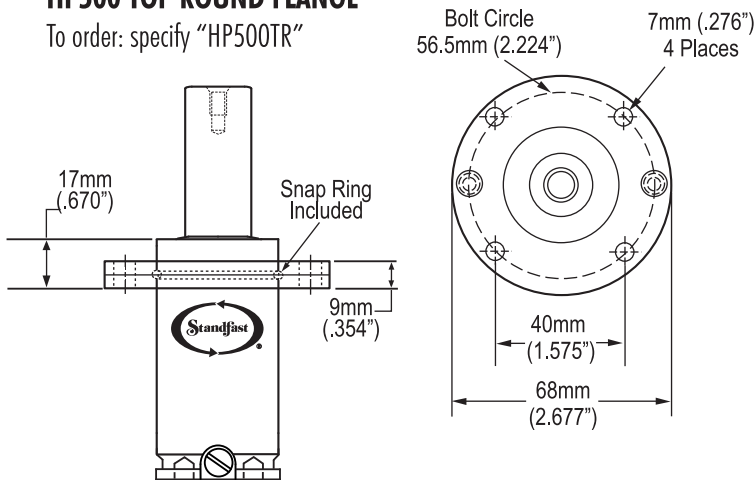
Stroke		Initial Contact Force		Force at Full Stroke	
MM	INS.	LBS	DaN	LBS	DaN
10.0	0.394	1061	472	1499	667
13.0	0.492			1529	680
15.0	0.591			1552	690
19.0	0.748			1578	702
25.0	0.984			1604	713
32.0	1.260			1624	722
38.0	1.476			1635	727
50.0	1.969			1652	735
63.0	2.461			1662	739
75.0	2.953			1669	742
80.0	3.150			1672	744
100.0	3.937			1678	746
125.0	4.921			1684	749

Formula to calculate charge pressure for ANY contact pressure is: FORCE REQUIRED X 2.050 = PSI

Note: English dimensions in black / Metric dimensions in blue

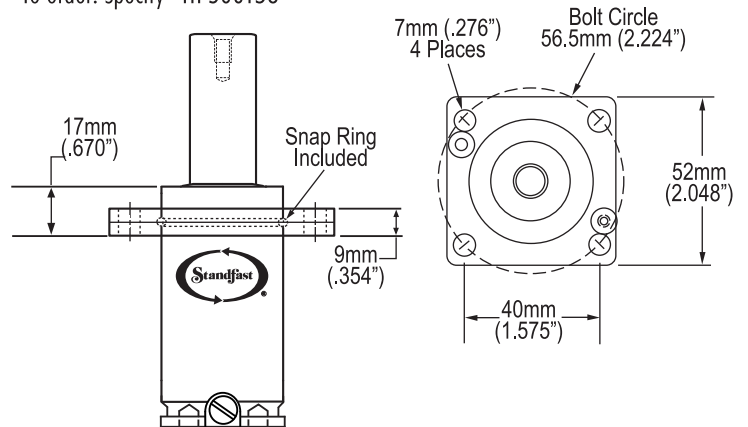
### HP500 TOP ROUND FLANGE

To order: specify "HP500TR"



### HP500 TOP SQUARED OFF FLANGE

To order: specify "HP500TSO"



### HP500 SQUARED BOTTOM FLANGE

To order: specify "HP500SB"

