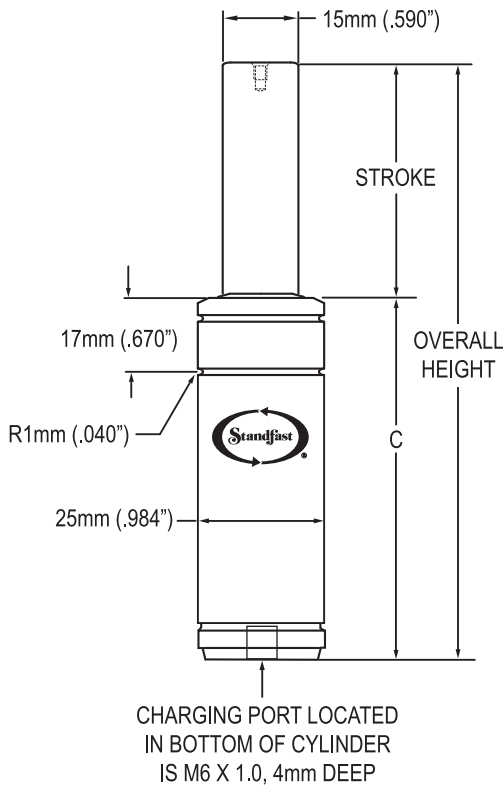


HP320 SERIES

HP320 DROP-IN STYLE

Specify "STD" when ordering



Our HP320 offers greater force in a smaller envelope than previous 25mm (.984") cylinders yet still contains the steel rod bearing support that is available in all of our cylinders.

Our HP320 cylinders may NOT BE HOSED INTO A SYSTEM.

HP320 cylinders are NOT REPAIRABLE.

To adjust pressure on HP320 cylinders, please use a CAM6 Charging Adapter and a DTM6 Discharge Tool.

We recommend that all cylinders be backed-up during operation.

HP320 STROKE CHART

STROKE LENGTH		MAX.ALLOW. STROKE		C		OVERALL LENGTH		WEIGHT
MM	INCHES	MM	INCHES	MM+/-0.5	INS+/-0.02	MM+/-0.5	INS+/-0.02	LBS.
7.0	0.276	5.5	0.216	37.0	1.457	44.0	1.732	0.13
10.0	0.394	8.5	0.334	40.0	1.575	50.0	1.968	0.14
13.0	0.500	11.2	0.440	42.7	1.681	55.4	2.181	0.15
15.0	0.591	13.0	0.511	45.0	1.772	60.0	2.362	0.16
19.0	0.748	17.0	0.669	49.0	1.929	68.0	2.677	0.17
25.0	0.984	23.0	0.905	55.0	2.165	80.0	3.150	0.20
38.0	1.496	36.0	1.417	68.0	2.677	106.0	4.173	0.23
50.0	1.969	48.0	1.889	80.0	3.150	130.0	5.118	0.27
63.0	2.500	61.5	2.421	93.5	3.681	157.0	6.181	0.33
75.0	2.953	73.0	2.874	110.0	4.331	185.0	7.284	0.38
80.0	3.150	78.0	3.070	115.0	4.528	195.0	7.677	0.39
100.0	3.937	98.0	3.858	135.0	5.315	235.0	9.252	0.46
125.0	4.921	123.0	4.842	160.0	6.299	285.0	11.221	0.55

Recommended tolerance on machined pocket in the die is 26.0/27.0mm (1.023"/1.063") for maximum HP320 performance.

ORDERING CODE: HP320 X STROKE LENGTH - MOUNT STYLE - CHARGE PRESSURE

NOTE: TO PREVENT POTENTIAL NITROGEN CYLINDER DAMAGE FROM UNCONTROLLED ACCELERATION, WE RECOMMEND PRE-LOADING THE CYLINDERS.

Note: English dimensions in black / Metric dimensions in blue

HP320 SERIES MOUNTS AND ACCESSORIES

HP320 FORCE CHART based on 2600 PSI

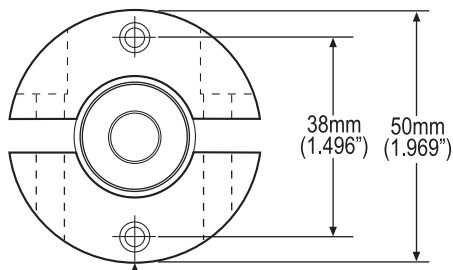
Stroke		Initial Contact Force		Force at Full Stroke	
MM	INCHES	LBS	DaN	LBS	DaN
7.0	0.276	711	316	1018	453
10.0	0.394			1051	468
13.0	0.500			1070	476
15.0	0.591			1082	481
19.0	0.748			1097	488
25.0	0.984			1111	494
38.0	1.496			1128	502
50.0	1.969			1136	505
63.0	2.500			1142	508
75.0	2.953			1145	509
80.0	3.150			1146	510
100.0	3.937			1150	512
125.0	4.921			1152	512

Formula to calculate charge pressure for ANY contact pressure is: FORCE REQUIRED X 3.658 = PSI

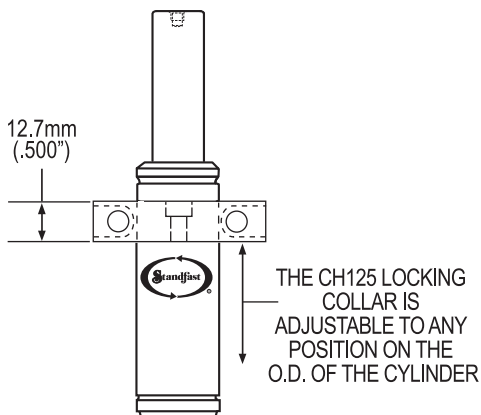
Note: English dimensions in black / Metric dimensions in blue

CH125 LOCKING COLLAR

To order: specify "CH125LC"



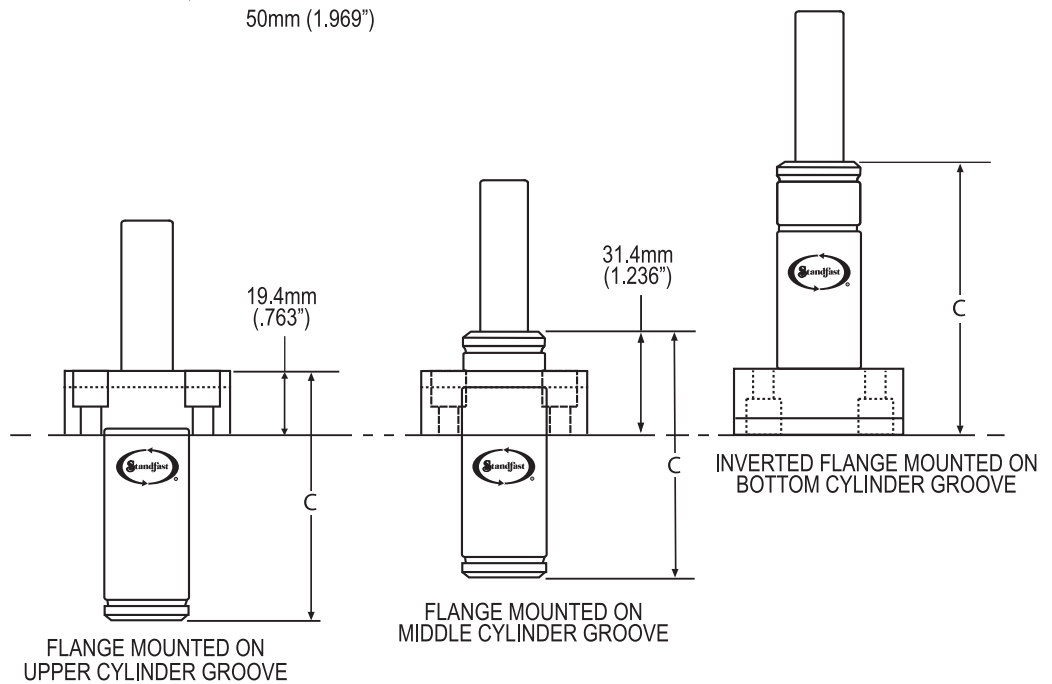
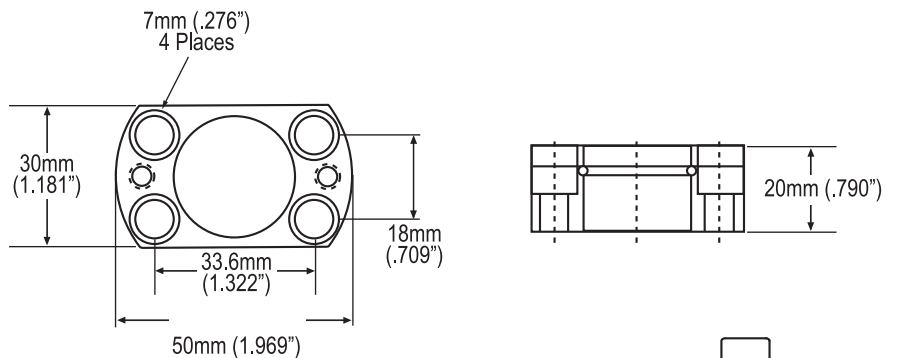
COUNTERSUNK MOUNTING HOLES FOR M5 OR #10 X 32 SHCS



THE CH125 LOCKING COLLAR IS ADJUSTABLE TO ANY POSITION ON THE O.D. OF THE CYLINDER

CH125 FLANGE MOUNT

To order: specify "CH125FM"



FLANGE MOUNTED ON UPPER CYLINDER GROOVE

FLANGE MOUNTED ON MIDDLE CYLINDER GROOVE

INVERTED FLANGE MOUNTED ON BOTTOM CYLINDER GROOVE