

## SSL 90 & 170 STANDARD MOUNT

Our SSL90 & 170 are the first nitrogen gas lifters to be offered by Standfast Industries. Superior design features include the use of an all steel bearing to offer unprecedented rod support and the addition of a rod wiper to greatly reduce potential contamination.

Our SSL 90 & 170 provide lift and guidance with two choices of power in one envelope with features that allow our lifter to be non-rotating.

The SSL 90 & 170 are powered by the use of our CH119 & HP170 respectively. These cylinders are easily accessible and entirely interchangeable, allowing for painless conversions between levels of force.

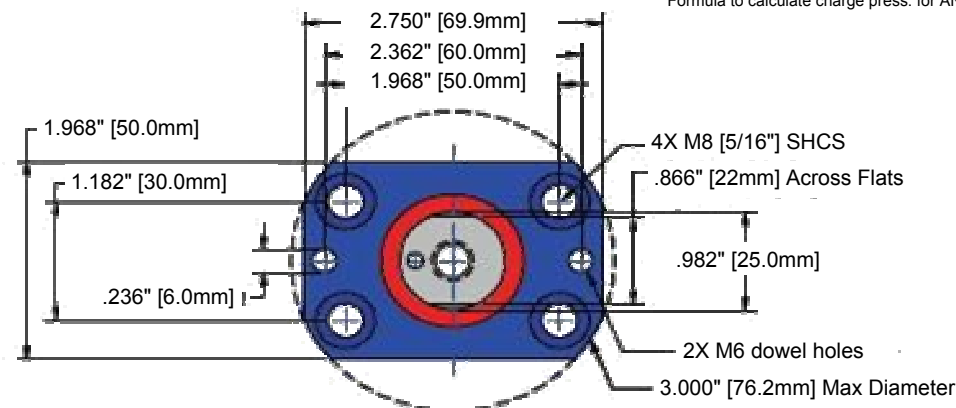
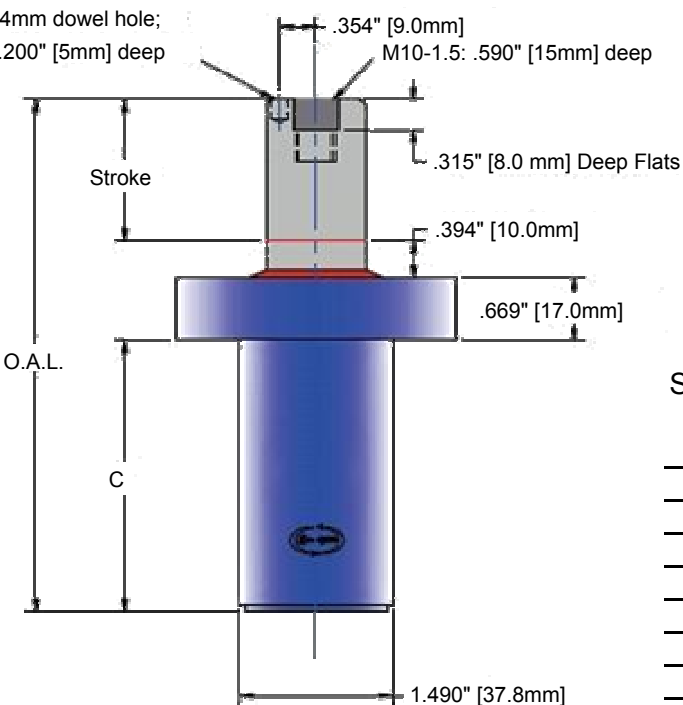
## SSL 90 & 170 STROKE CHART

STROKE LENGTH		C		OVERALL LENGTH	
MM	INCHES	MM	INS.	MM	INS.
25.0	0.984	60.0	2.362	112.0	4.409
38.0	1.496	73.0	2.874	138.0	5.433
50.0	1.969	85.0	3.346	162.0	6.378
80.0	3.150	118.0	4.646	225.0	8.858
100.0	3.937	138.0	5.433	265.0	10.433
125.0	4.921	163.0	6.418	315.0	12.401

## SSL 90 & 170 FORCE CHART

MODEL	CHARGE PRESS.	INT. CONTACT FORCE	FORCE AT FULL STROKE
SSL90	2600	200	270
SSL170	2600	380	600

Formula to calculate charge press. for ANY contact press. is FORCE REQUIRED X 12.915 = PSI (SSL 90)  
 Formula to calculate charge press. for ANY contact press. is FORCE REQUIRED X 6.67 = PSI (SSL 170)



ORDERING CODE: SSL 90/170 x STROKE LENGTH



Standfast Industries Inc. 28024 Center Oaks Ct. Wixom, MI 48393  
 T: (800) 424-7602 F: (248) 380-3226 E: standfast@prodigy.net  
 Website: www.standfastnitrogencylinders.com

Note: English dimensions in black / Metric dimensions in blue